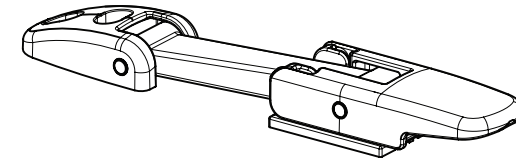
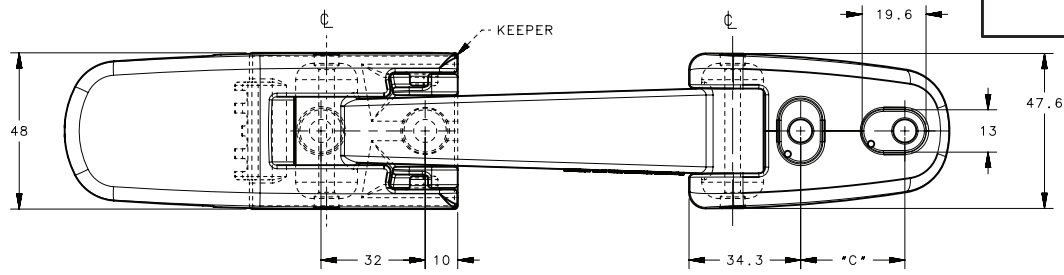
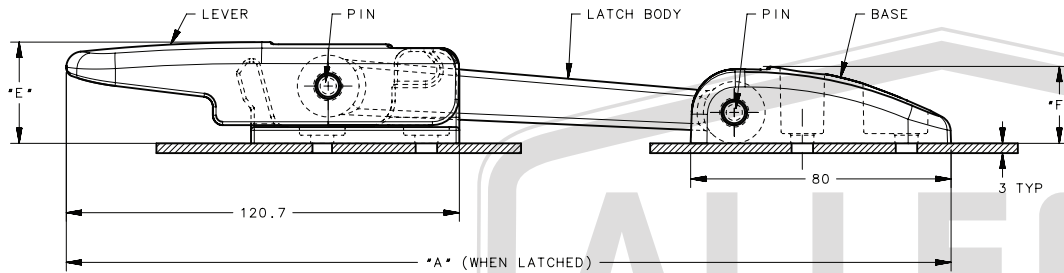


APPROVAL - CUSTOMER NAME & SIGNATURE

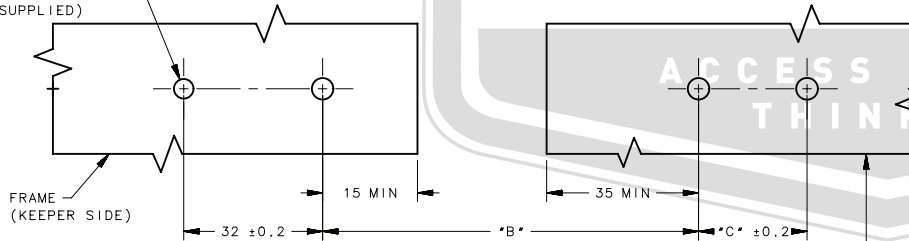
DATE



SCALE 1:2



(4X) $\varnothing *D* \pm 0.1$
USE M5 OR M6 PAN OR
ROUND HEAD SCREWS
(NOT SUPPLIED)

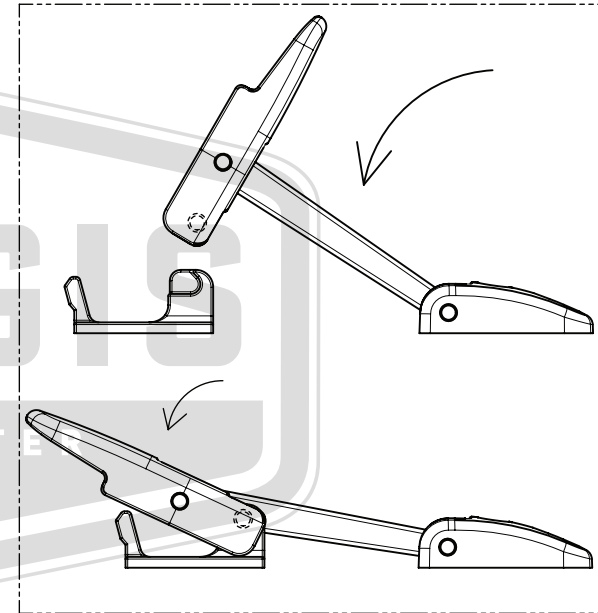


NOTES:

PART SHIPPED LAYER PACKAGED.
FOR INDIVIDUAL BAGGED ASSEMBLIES ADD -2 TO PART NUMBER. (EXAMPLE: 37-30-294-60-2)

MATERIAL AND FINISH:

LATCH BODY: EPDM RUBBER, OR POLYURETHANE (305), BLACK
LEVER, KEEPER, AND BASE: GLASS-FILLED NYLON, BLACK
PIN: STAINLESS STEEL OR HARDENED STAINLESS STEEL (37-40-305-60 ONLY)



LATCH OPERATION

37-40-305-60	300	144±4	32	6.6	39.1	29
37-40-295-60	300	144±4	32	6.6	31.1	23.5
37-30-297-60	379	222±6	25.4	5.5	31.1	23.5
37-30-294-60	254	97±3	25.4	5.5	31.1	23.5
PART NUMBER	A	B	C	D	E	F

ALLEGIS

1-866-378-7550

MATERIAL:
Glass filled Nylon,
Rubber

DRAWING NO. :
37-30-294-60

FINISH:
Natural

REV.: 1:1

DATE:
5/28/2019